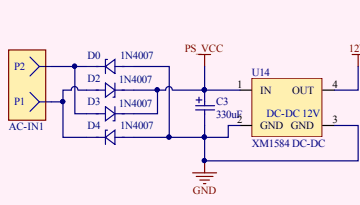
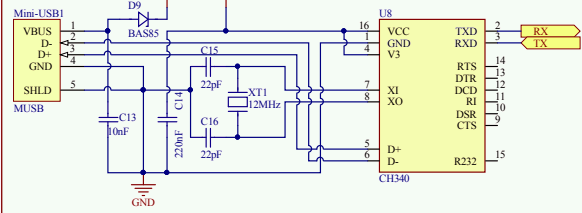


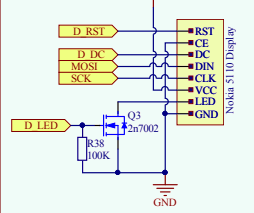
Power Supply



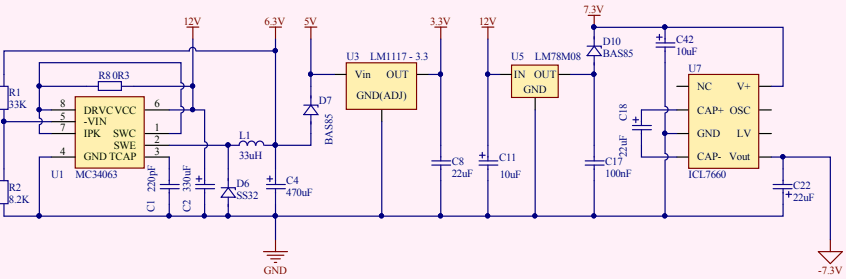
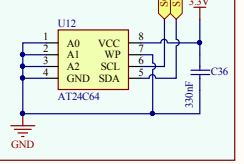
USB-UART



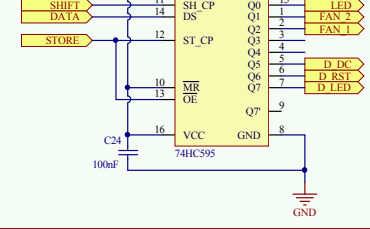
Display



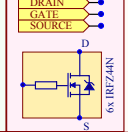
EEPROM



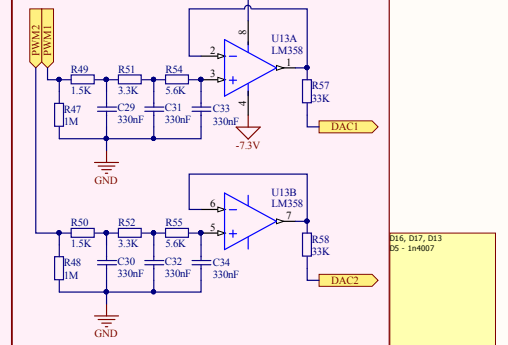
74HC595



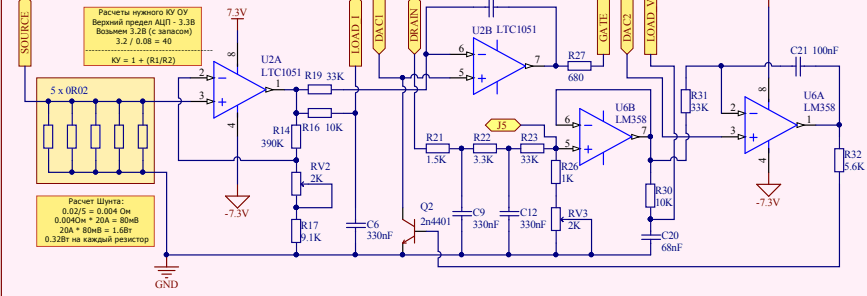
MOSFET Array



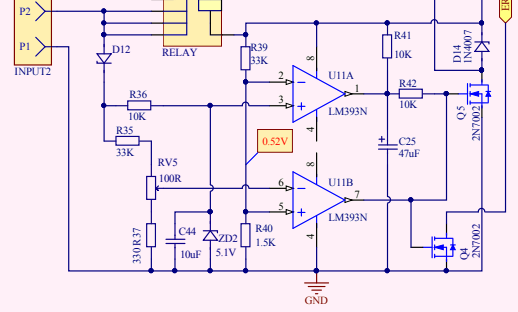
PWM DAC



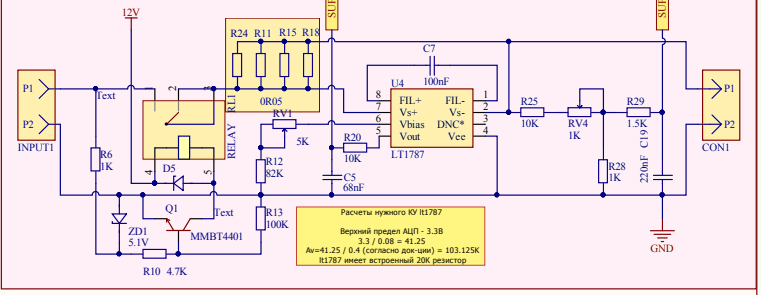
OP-AMP Block



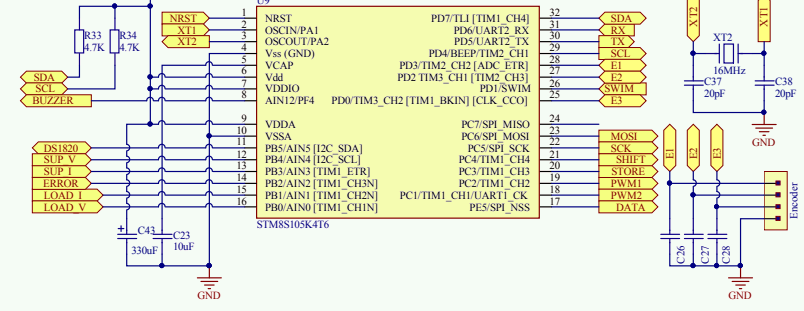
Protection



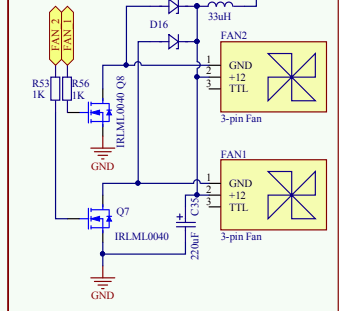
EXT-Supply



CPU



Cooling



Title			e-Load		
Size	Number	Revision		3.3	
Date:	1/22/2017	Sheet of		1	
File:	E:\work\ve-load\SchDoc	Drawn By:		Aleksey Shirin	